

Sarix Pro 4 Compact Dome

2MP

5MP

5-year warranty

The Sarix Pro 4 Compact Dome offers a discreet yet powerful security solution to secure your site without drawing unwanted attention. Its small size allows it to be placed in areas where traditional cameras wouldn't fit, providing you with complete visibility and peace of mind.



Features



Best of both worlds

The Sarix Pro 4 Compact Dome easily integrates with your existing security system, and its unobtrusive size allows you to expand your coverage without sacrificing aesthetics.



Compact yet impactful

The camera's durability and resilience make it an ideal choice for outdoor security, ensuring that it can withstand harsh weather conditions and extreme temperatures.



Do more than expected

Reduce the need for routine checks and maintenance. With an Elevate-enabled camera remotely manage all of your cameras from a single location.



From reactive to proactive

Optimize security, prevent crime and create a safer environment by accurately identifying real threats and filtering out false alarms with AI-powered analytics.



Built-in protection

Have peace of mind knowing that your network is safeguarded with the latest technology to prevent cyber attacks.

For more information, visit the Sarix Pro 4 Compact Dome [webpage](#).

Specifications

Image Performance		2.0 MP	5.0 MP
Image Sensor		1/2.8" progressive scan CMOS	
Imaging Area (H x V)		4.8 mm x 2.7 mm; 0.189" x 0.106"	5.18 mm x 3.89 mm; 0.204" x 0.153"
Max Image Rate	Full feature mode	(50/60Hz) - 25/30fps	(50/60Hz) - 25/24fps
	High frame rate mode		(50/60Hz) - 25/30fps
Max Resolution (H x V) and Aspect Ratio	Primary	4:3	N/A
		16:9	1920x1080
	Secondary	4:3	N/A
		16:9	720x480, 640x360, 512x288, 384x216
Dynamic Range	WDR Off	83dB	
	WDR On	Up to 120dB	
Camera Operating Mode		Full Feature / No Video Analytics	Full Feature / No Video Analytics / High Framerate (Video Analytics disabled)
Bandwidth Management		HDSM SmartCodec technology; Idle scene mode	
3D Noise Reduction Filter		Yes	

Lens and IR Illumination		2.0 MP	5.0 PM
Lens		2.99mm	
IR Illumination (high power 850 nm LEDs)		Up to 20m	
Minimum Illumination	With IR	0 lux in color or monochrome mode	
	Without IR	0.005 lux in monochrome mode; 0.01 lux in color mode	0.01 lux in monochrome mode; 0.02 lux in color mode
Angle of View (HFOV x VFOV)		(16:9) 108° x 61°	(4:3) 101° x 75°, (16:9) 100° x 54°
Max Aperture		F2.0	

Image Control	
Image Compression Method	H.264 HDSM SmartCodec, H.265 HDSM SmartCodec, Motion JPEG
Streaming	Multi-stream H.264, Multi-stream H.265, Motion JPEG
Motion Detection	Pixel motion: Selectable sensitivity and threshold. Classified object detection Pixel motion: Selectable sensitivity and threshold. Classified object detection
Tamper Detection	Yes
Electronic Shutter Control	Automatic, Manual (1/7.5 to 1/30000 sec)
Iris Control	Fixed
Day/Night Control	Automatic, Manual
Flicker Control	50 Hz, 60 Hz
White Balance	Automatic, Manual
Backlight Compensation	Adjustable
Privacy Zones	Up to 64 zones

Network	
Network	100BASE-TX
Cabling Type	CAT5
Connector	RJ-45

Network	
ONVIF	ONVIF® compliance Profile S, Profile T, Profile M and Profile G (www.onvif.org)
Security	Password protection, HTTPS encryption, digest authentication, WS authentication, user access log, 802.1x port based authentication, FIPS 140-3 L3 (with onboard TPM)
Protocols	IPv6, IPv4, HTTP, HTTPS, SOAP, DNS, NTP, RTSP, RTCP, RTP, TCP, UDP, IGMP, ICMP, DHCP, Zeroconf, ARP, HSTS
Streaming Protocols	RTP/UDP, RTP/UDP multicast, RTP/RTSP/TCP, RTP/RTSP/HTTP/TCP, RTP/RTSP/HTTPS/TCP, HTTP
Device Management Protocols	SNMP v2c, SNMP v3

Peripherals	
Onboard Storage	microSD/microSDHC/microSDXC slot – video speed class card required. Class V10 or better recommended

Auxiliary I/O	
Audio Compression Method	N/A
Audio Input/Output	N/A
External I/O Terminals	N/A

Mechanical		Surface Mount	Pendant Mount
Dimensions (LxWxH)	Camera Assembly	106mm x 106mm x 81mm	121mm x 121mm x 146mm
	Accessory Only	N/A	121mm x 121mm x 89mm
Weight	Camera	420gram Camera (685gram in box)	229gram (335gr in box; 614gr Camera)
Max. Ceiling Thickness		N/A	N/A
Dome Bubble		Polycarbonate	
Body		Polycarbonate and aluminum	
Housing		Surface mount	Pendant mount
Finish		Plastic Inj Mold Black; Powdercoat Grey	

Electrical	
Power Consumption	10W
Power Source	PoE: IEEE 802.3af Class 3 compliant
IR Illumination Behavior	IR illuminator will turn off if the temperature is 58 °C (136 °F) or higher. The illuminator will operate at 70% power if the temperature is between 35°C (95 °F) and 58°C (136 °F).
Power Connector	N/A
RTC Backup Battery	3V manganese lithium

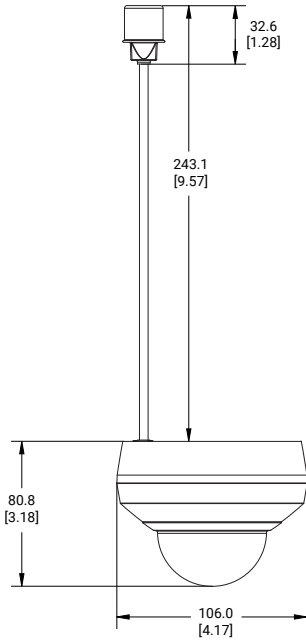
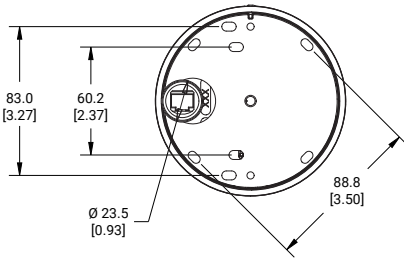
Environmental	
Operating Temperature	-20°C to +60 °C (-4 °F to 140 °F)
Boot Temperature	-20°C to +60 °C (-4 °F to 140 °F)
Storage Temperature	-10 °C to +60 °C (14 °F to 140 °F)
Humidity	0 - 95% non-condensing
Environment	Outdoor Applications

Certifications	
Certifications/Approvals	UL, cUL, CE, ROHS, RCM, UKCA, NOM, KC, BIS
Safety	UL 62368-1, CSA 62368-1, IEC/EN 62368-1, IEC 62471
Environmental	IEC 60529 IP66, IP67, IEC/EN 62262 IK10
Electromagnetic Emissions	FCC Part 15 Subpart B Class B, IC ICES-003 Class B, EN 55032 Class B, EN 61000-6-3, EN 61000-3-2, EN 61000-3-3

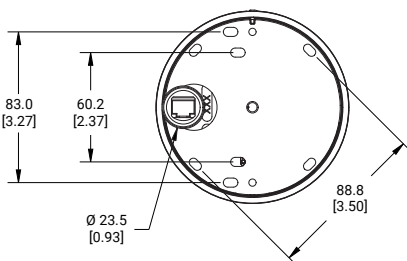
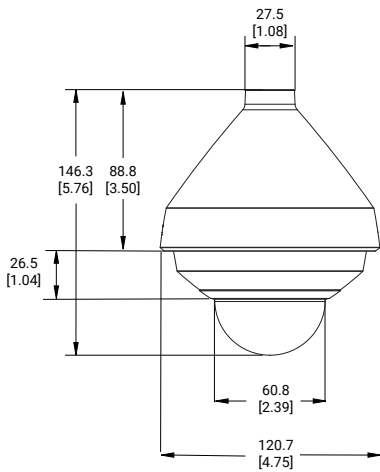
Outline Dimensions

Camera with Surface Mount

[X.X]	INCHES
X	MM



Camera with Pendant Mount



Ordering Information

Outdoor Dome Camera

Model	MP	Analytics	HDSM SmartCodec	IP66/IP67/IK10
SRXP4C-2F3-EMD-IR	2.0	✓	✓	✓
SRXP4C-5F3-EMD-IR	5.0	✓	✓	✓

Accessories

Model	MP
SRXP4C-MT-NPTA1	MOUNT, Pendant Adapter, Grey, Odr, Pro4C
MSI-NPTCON-1001	ADAPTOR, 1-1/2" x 1/2" NPT Male
MSI-LD-1E	COVER, Repl, Clear, Grey, Odr, Mini
MSI-LD-0E	COVER, Repl, 50% Smoke, Grey, Odr, Mini
MSI-MT-ECLR	MOUNT, Side Conduit, Odr, Mini

Support

Learn more and find additional documentation at pelco.com or email support@pelco.com for specific product support.



Jan 2025 | | Rev 1

© 2025, Motorola Solutions, Inc. All rights reserved. MOTOROLA, MOTO, MOTOROLA SOLUTIONS, and the Stylized M Logo are trademarks or registered trademarks of Motorola Trademark Holdings, LLC and are used under license. Pelco, the Pelco logo, and other trademarks associated with Pelco products referred to in this publication are trademarks of Pelco, Inc. or its affiliates. All other product names and services are the property of their respective companies. Product specifications and availability are subject to change without notice.